



**John
BOOS**
Since 1887

ITEM #: _____ QTY: _____
 MODEL #: _____
 PROJECT NAME: _____

042619

3601 S. Banker St. Effingham, IL 62401 • P.O. BOX 609 • Ph: (888) 431-2667 • Fax: (800) 433-2667

"ST6R5-SBK" STAINLESS STEEL TOP WORK TABLES

16GA TOP W/ 5" RISER AND STAINLESS STEEL LEGS AND ADJUSTABLE BRACING



FEATURES:

- 16 GAUGE STAINLESS STEEL TOP W/ 5" RISER & TURNDOWN
- TYPE 300 STAINLESS STEEL WITH # 4 POLISH, SATIN FINISH
- TOP IS SOUND DEADENED
- REINFORCED WITH 1"X2" CHANNEL RUNNING ENTIRE LENGTH OF TABLE
- 1-1/2" STALLION EDGE ON FRONT SIDE EDGES
- 90 DEGREE BEND DOWN FOR TABLE LINE-UP
- STAINLESS STEEL BASE WITH ADJUSTABLE BRACING
- ADJUSTABLE BULLET FEET
- SHIPPED KNOCKED-DOWN, EASY-TO-ASSEMBLE
- NSF AND CSA CERTIFIED



ST6R5-3048SBK

CONSTRUCTION:

- TOP: STAINLESS STEEL TOPS ARE TIG WELDED, EXPOSED WELDS ARE POLISHED TO MATCH ADJACENT SURFACE.

MATERIAL:

- TOP: 16 GAUGE STAINLESS STEEL TYPE 300 STAINLESS STEEL WITH # 4 POLISH, SATIN FINISH
- BRACING: 1-1/4" ROUND O.D. 18 GAUGE STAINLESS STEEL
- LEGS: 1-5/8" ROUND O.D. 16 GAUGE TUBULAR STAINLESS STEEL
- GUSSETS: STAINLESS STEEL
- FEET: 1" ADJUSTABLE STAINLESS BULLET FEET



ADJUSTABLE BRACING

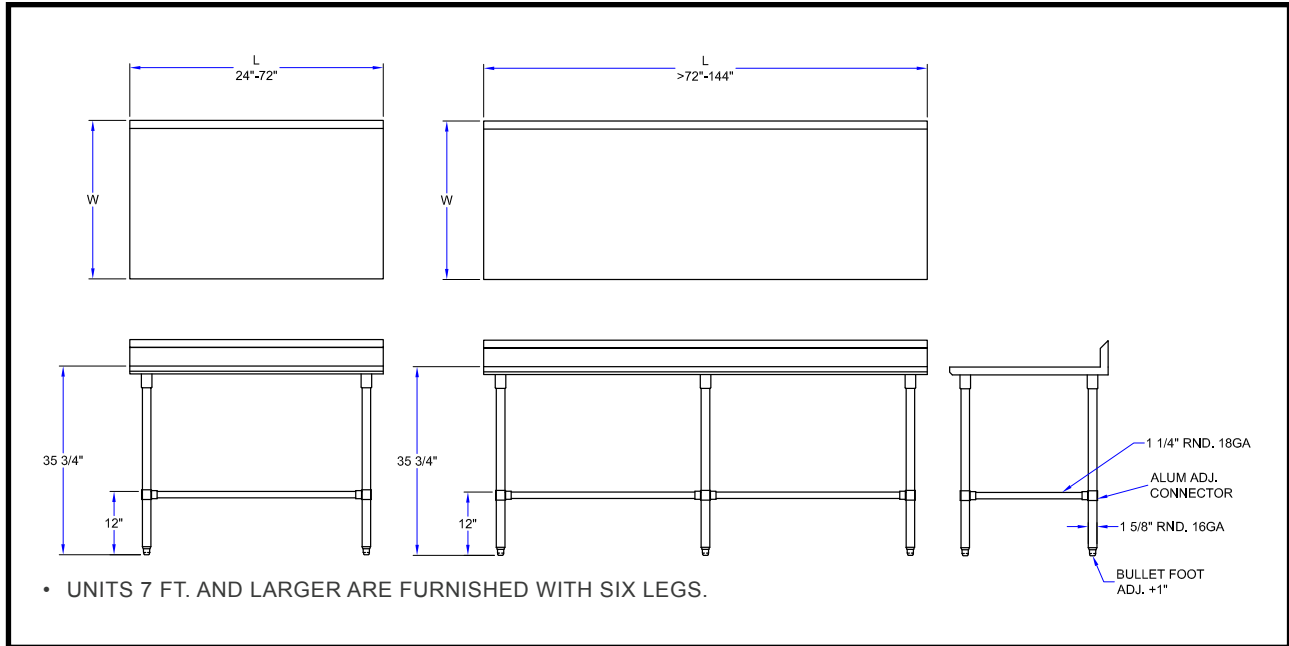
16 GAUGE TOP W/ ADJUSTABLE BRACING

| 24" WIDE | QTY | 30" WIDE | QTY | 36" WIDE | QTY |
|----------------|-----|----------------|-----|----------------|-----|
| ST6R5-2424SBK | | ST6R5-3024SBK | | ST6R5-3624SBK | |
| ST6R5-2430SBK | | ST6R5-3030SBK | | ST6R5-3630SBK | |
| ST6R5-2436SBK | | ST6R5-3036SBK | | ST6R5-3636SBK | |
| ST6R5-2448SBK | | ST6R5-3048SBK | | ST6R5-3648SBK | |
| ST6R5-2460SBK | | ST6R5-3060SBK | | ST6R5-3660SBK | |
| ST6R5-2472SBK | | ST6R5-3072SBK | | ST6R5-3672SBK | |
| ST6R5-2484SBK | | ST6R5-3084SBK | | ST6R5-3684SBK | |
| ST6R5-2496SBK | | ST6R5-3096SBK | | ST6R5-3696SBK | |
| ST6R5-24108SBK | | ST6R5-30108SBK | | ST6R5-36108SBK | |
| ST6R5-24120SBK | | ST6R5-30120SBK | | ST6R5-36120SBK | |
| ST6R5-24132SBK | | ST6R5-30132SBK | | ST6R5-36132SBK | |
| ST6R5-24144SBK | | ST6R5-30144SBK | | ST6R5-36144SBK | |

OPTIONAL ACCESSORIES

| DESCRIPTION | MODEL # | QTY |
|-------------|---------|-----|
| DRAWER | | |
| DRAWER LOCK | | |
| CASTERS | | |
| OVERSHELVES | | |
| SINKS | | |
| POT RACK | | |

DETAILED SPECIFICATIONS

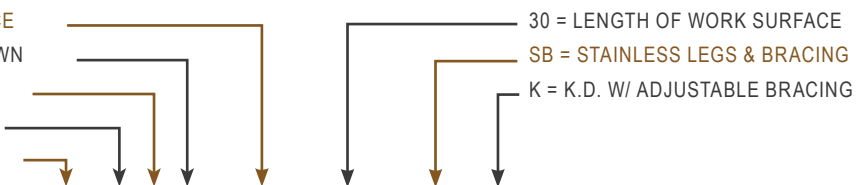


16 GAUGE TOP W/ ADJUSTABLE BRACING

| LENGTH | 24" WIDE | WT. (LBS) | 30" WIDE | WT. (LBS) | 36" WIDE | WT. (LBS) |
|--------|----------------|-----------|----------------|-----------|----------------|-----------|
| 24" | ST6R5-2424SBK | 40 | ST6R5-3024SBK | 44 | ST6R5-3624SBK | 50 |
| 30" | ST6R5-2430SBK | 44 | ST6R5-3030SBK | 48 | ST6R5-3630SBK | 56 |
| 36" | ST6R5-2436SBK | 49 | ST6R5-3036SBK | 54 | ST6R5-3636SBK | 61 |
| 48" | ST6R5-2448SBK | 58 | ST6R5-3048SBK | 65 | ST6R5-3648SBK | 73 |
| 60" | ST6R5-2460SBK | 68 | ST6R5-3060SBK | 75 | ST6R5-3660SBK | 84 |
| 72" | ST6R5-2472SBK | 77 | ST6R5-3072SBK | 85 | ST6R5-3672SBK | 96 |
| 84" | ST6R5-2484SBK | 94 | ST6R5-3084SBK | 105 | ST6R5-3684SBK | 121 |
| 96" | ST6R5-2496SBK | 103 | ST6R5-3096SBK | 116 | ST6R5-3696SBK | 133 |
| 108" | ST6R5-24108SBK | 112 | ST6R5-30108SBK | 125 | ST6R5-36108SBK | 142 |
| 120" | ST6R5-24120SBK | 122 | ST6R5-30120SBK | 136 | ST6R5-36120SBK | 154 |
| 132" | ST6R5-24132SBK | 131 | ST6R5-30132SBK | 146 | ST6R5-36132SBK | 165 |
| 144" | ST6R5-24144SBK | 141 | ST6R5-30144SBK | 158 | ST6R5-36144SBK | 179 |

MODEL # STRUCTURE

24 = WIDTH OF WORK SURFACE
5 = HT. OF RISER W/ TURNDOWN
R = RISER TOP WORK TABLE
6 = 16GA WORK SURFACE
ST = STAINLESS STEEL TOP



ST6R5-2430SBK

SOME UNITS SHIP UNASSEMBLED FOR REDUCED SHIPPING COST. ALL DIMENSIONS ARE TYPICAL. TOLERANCE +/- .500"

John Boos & Co. is constantly engaged in a program of improving products and therefore reserves the right to change specifications without prior notice.



3601 S. Banker St. • Effingham, IL 62401 • PO BOX 609 • quotes@johnboos.com

042619



www.johnboos.com

219